

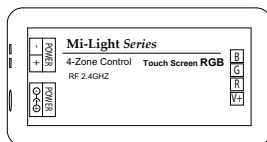
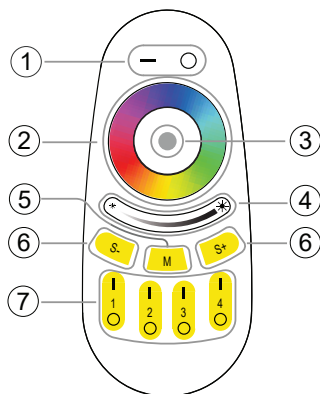
Important: Please read all instructions prior to installation.

Parts Included

CT-RGB-T01 CT : Controller
CT-RGB-T01 REM : Remote Control

*Sold separately

Physical



Wireless Remote

1. Master On(-)/Off(O)

A master On(-)/Off(O) control for all zone-linked RGB(W) light strips. Also activates the “Master” function, which allows the remote to control the RGB(W) light strips of all zones. If a zone is currently active, pressing the master On(-) button restores the “Master” function to the remote.

2. Color Selection Ring

Directly selects color along a circular spectrum. To obtain white light only, keep the “Zone On” (I) button depressed until the light changes to a steady bright white.

3. Selection LED Indicator

Flashes once to indicate when a command has been selected.

4. Brightness Touch Slider - Increase(Right Side)/Decrease(Left Side)

Increases(right side) or decreases(left side) the brightness level. Changing the active mode resets the brightness level to full.

5. Mode Start/Scroll(M)

Modes feature different color combinations, light transitions, and patterns, with 9 distinct modes. This button initiates the Mode function and scrolls through the modes in ascending order.

6. Mode Speed - Increase(S+)/Decrease(S-)

Increases (S+)/decreases(S-) the tempo of the mode pattern currently active.

	Mode	Description
1	RBGW Fade In/Out	Red, green, blue and white fade in/out in a set cycle.
2	Color Flash	Red, green, blue, white, purple and yellow flash in .
3	Disco	Red, green, blue, white, purple and yellow cycle in rotation with flashing transitions.
4	Red Fade In and Flash	Red brightens to full brightness, then flashes 3 times.
5	Green Fade In and Flash	Green brightens to full brightness, then flashes 3 times.
6	Blue Fade In and Flash	Blue brightens to full brightness, then flashes 3 times.
7	Color Fade In/Out and Flash	Multiple colors fade in/out and then flash randomly.
8	3 Color Change with Fade In/Out	Multiple colors cycle with 3 smooth color changes followed by fade in/out.
9	White Fade In/Out	White flashes continuously.

7. Zone On(I)/Off(O) - Zones 1-4

Allows up to four “zones” (i.e. channels) of RGB(W) light strips to be separately linked and controlled by the remote. Pressing one of the Zone On(I) buttons activates that zone; commands will affect only lights in that zone. Once linked to a zone, lights remain linked until they are unlinked. Steadily depressing the Zone On(I) button restores the lights in that zone to white.

Important: Please read all instructions prior to installation.

Linking Light to Remote

The multi-zone RF remote can control up to 4 individual controllers independently.

Linking a controller to the remote

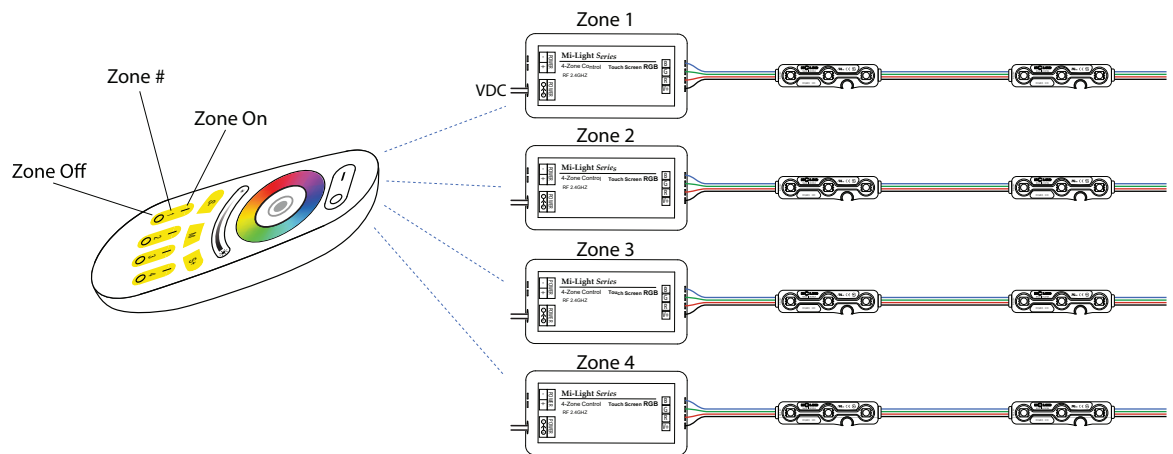
1. Switch off the main power supply to the light.
2. Restore power and within 3 seconds, choosing one of the "Zone On" (I) buttons, depress the button until the light begins flashing. It will flash white 3 times, indicating that the light is now linked to that numbered zone and can be controlled via the remote.

Activating a Zone

To activate a specific zone, depress the "Zone On" (I) button. The zone is now active and remote commands will only affect lights linked to that zone.

Unlinking a controller to the remote

1. Determine which zone the light is linked to. This can be done by testing the Zone On/Off controls for each zone on the remote.
2. Switch off the main power supply to the light.
3. Restore power and within 3 seconds, depress one of the "Zone On" (I) buttons until the light flashes 6 times, indicating that the light has been unlinked.



Technical Data

Remote

Size(mm)	120 x 52 x 20
Power	2 x AAA Battery
Material	ABS

Controller

Size(mm)	85 x 45 x 23
Working Voltage	DC12~24V
Number of Channel	3 (RGB)
Max Load per Channel	6A
Output Connection	Common Anode
Controlling Distance (m)	30
Number of Programs	9