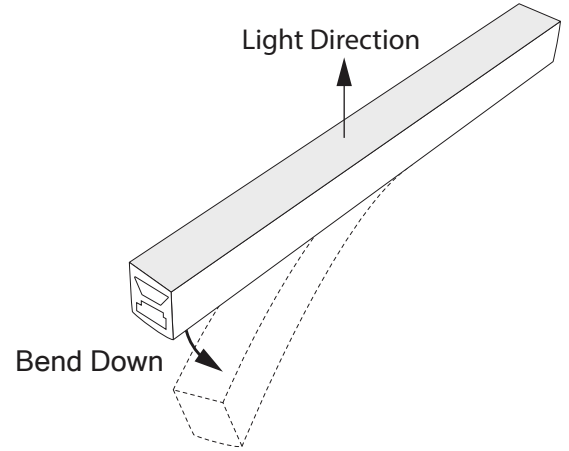
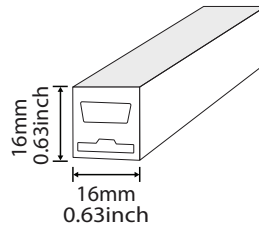


Installation Guide

ALPHA FLEX NEON T1616 (Square Profile)



Characteristic



Waterproof Rating

IP68: Complete protection against dust ingress and water

Optical / Electrical Characteristic

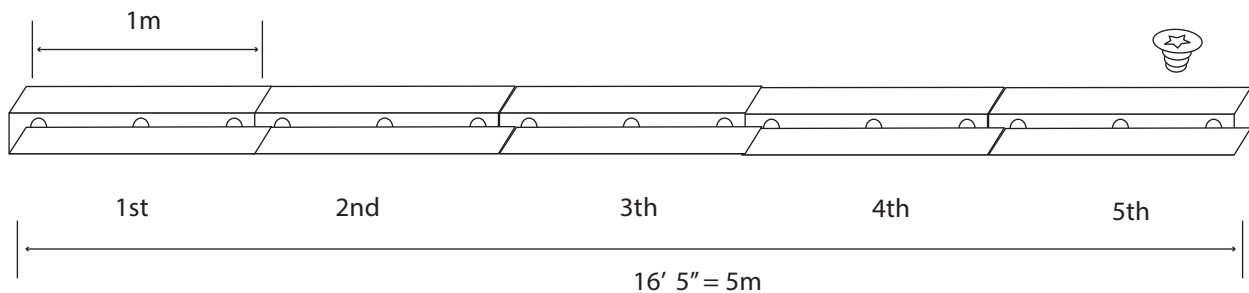
Length per roll:	16 ft 5 inch (5m)	
Operating power:	DC 12V	DC 24V
Current dissipation:	4167mA / 16' 5"	2916.67mA / 16' 5"
Power consumption per roll:	50 watt	70 watt
Power consumption per foot:	3.0 Watt	4.26 watt
Color:		
Max. quantity. for serial connection:	16' 5"	32' 10"
Dimming	Support 12V dimming	Support 24V dimming

Aluminum Track

Length: 1m / track
**Use 5pcs for every 16' 5"*

Installation:

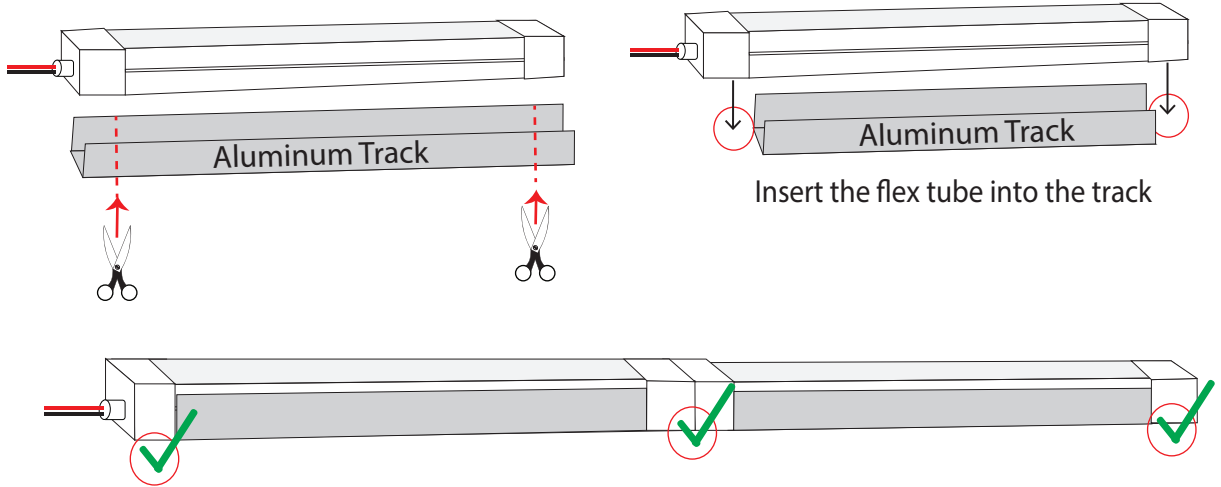
- Install the aluminum track consecutively using screws



Neon Flex Tube

 **Cut the track to leave the end/power cap outside**

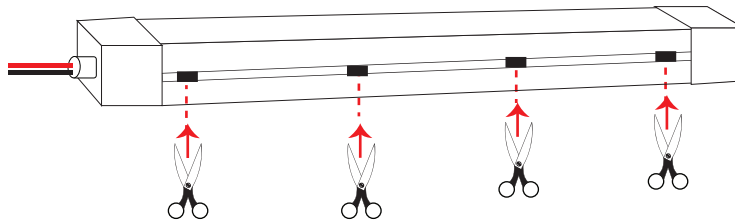
Insert the flex tube into the track.



Steps to cut the Flex Tube

1 Cut only on the black lines located in the bottom side of the flex tube

 If you do not see the black lines located in the bottom side, then the LED Strip inside of the flex tube is single cut, meaning you can cut it at any point.



2 Fill the inside of the flex tube with silicone to seal the LED Strip



3 Fill the inside of the end/power cap with silicone



4 Add silicone around the end/power cap

