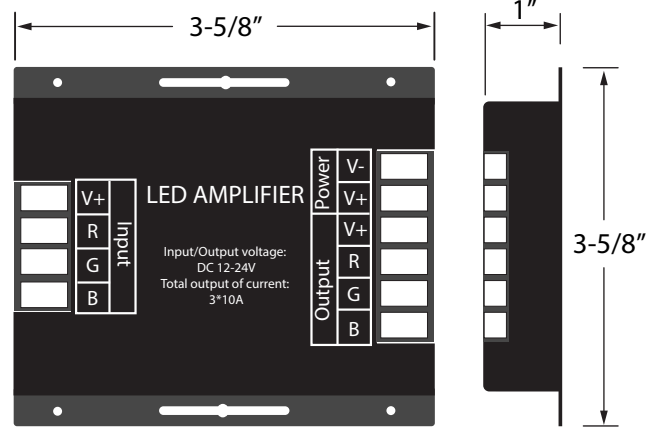


Important: Please read all instructions prior to installation.

Physical



L x W x H: 90 x 90 x 25 (mm)



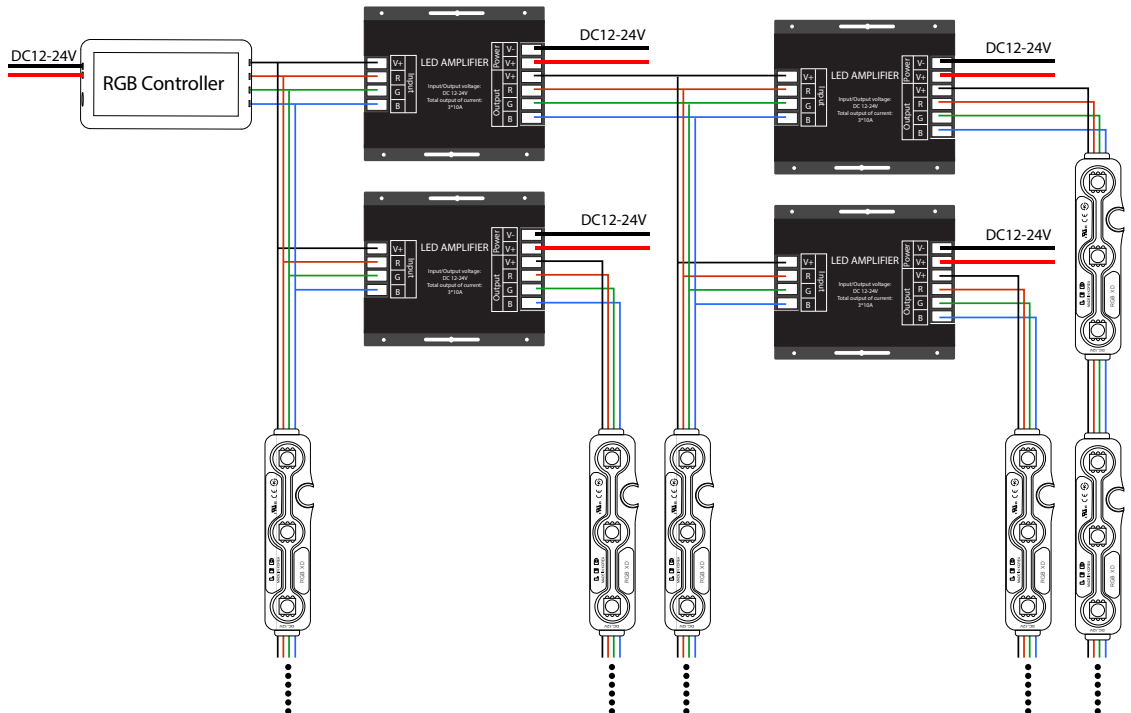
Descriptions

- High speed and current power amplifier, suit for PWM(Pulse Width Modulation) control LED controller.
- Allows unlimited number of LED to be operated by one source of control.
- Numerous amplifiers can be connected.
- Protects LED from being damaged by high current draw

Technical Parameters

- Working temperature: -20 - 60 °C
- Working voltage: DC12V - 24V
- Signal voltage: DC12V - 24V
- Input signal: PWM dimming Signal
- Dimming range: 0.1% - 100%
- Net weight: 130g
- Dimensions: L x W x H
- Connect node: common anode
- Output current: <24A (8A per channel)
- Output power: 12V < 288W, 10V < 576Wv

Technical Application



Elite LED Supply, Inc

5710 West 34th Street, Suite A, Houston TX, 77092

Tel: 713-234-6579 Website: www.eliteledsupply.com

